

Tyson.

Tapered Roller Bearings, Tapered Thrust Bearings

Producing high-quality products since 1929.



RBC[®]
BEARINGS

Tyson Bearings
QS-9000
ISO 9001:2000

www.rbcbearings.com
800.390.3300

RBC has had a long tradition of innovation, commitment, and quality since the company was founded in 1919. Today, RBC has grown into a world-class manufacturer of standard and custom-engineered bearings and related products, with a product focus on research, testing, and development of the best product for specific applications.

What We Manufacture

RBC Bearings, with divisions throughout the United States and Europe, provides bearings and precision products for applications in the construction, mining, material handling, transportation and off-highway equipment, robotics and automation, farming, machine tool, and semiconductor equipment industries. Through RBC Aerospace Bearings, the company is a major manufacturer of standard and special bearings and precision products for military and commercial aerospace applications.

RBC's high-quality bearings include:

- **Heavy-Duty Needle Roller Bearings** - Pitchlign® caged heavy duty needle roller bearings, inner rings, type TJ TandemRoller® bearings for long life.
- **Spherical Plain Bearings** - Radial, angular, contact, high misalignment, extended inner ring, QuadLube® long life bearings, ImpactTuff® case carburized bearings, ShimPack® double-acting angular contact bearings, CrossLube® lubrication groove systems, SpreadLock® Seal, Fibriloid® and DuraLube™ self-lubricating bearings, and MillTuff® 3-part bearings.
- **Cam Followers and Yoke Rollers** - Standard stud, heavy stud, yoke type, caged roller followers, RBC Roller® long life cam followers, HexLube® universal cam followers, airframe track rollers. Mastguide rollers and carriage rollers, chain sheaves (for leaf chain), toothless sprockets (for roller chain), and heavy-duty roller bearing construction.
- **Rod Ends** - Commercial and aerospace, precision, Mil-Spec series, self-lubricating, inch and metric. Heim and Schaublin Unibal®
- **Self-Lubricating Bearings** - Radial, thrust, rod ends, spherical plain bearings, high temperature, high loads, inch and metric. Fiberglide®.
- **Thin Section Ball Bearings** - Standard cross sections to one inch. Sizes to 40 inches. Stainless steel and other materials available. Seals available on all sizes and standard cross sections.
- **Airframe Control Bearings** - Ball bearing types, self-lubricating types, needle roller track rollers.
- **Ground, Semiground, and Unground Ball Bearings** - Full complement, utilizes design and burnished races for higher loads, long life, and smooth operation.
- **Ball Screws** - Precision ground and rolled ball screws. Inch and Metric. QuickTurn® Ball Screw Repair Service.
- **Pins and Shafts** - All types of pins, needles, shafts, and rollers.
- **Tapered Roller and Tapered Thrust Bearings** - Case hardened in a variety of sizes, used in Class 8 heavy truck and trailer wheel bearings, final drive transmissions and gear boxes.
- **Custom Designed Bearings** - RBC produces a wide range of custom bearings in various materials for specific applications.

RBC/Tyson Tapered Roller Bearings

RBC/Tyson Tapered Roller Bearings are manufactured in the Glasgow Kentucky plant to the highest standards from the best grades of bearing quality steel. Both case hardened and through hardened bearings are available. Tyson manufactures the most popular medium sizes and is committed to making sure the bearings you need are in stock. Tyson Bearing's quality system is QS 9000 certified.

Tyson Tapered Thrust Bearings

RBC/Tyson Tapered Thrust bearings are manufactured in the RBC Oklahoma City, Oklahoma plant. The rollers and races are constructed from high grade bearing steel and are case hardened. Sealed, unsealed and greased versions are available. Tyson manufactures the most popular sizes for truck steer axle, trailer landing gear, and other industrial applications. Most of the sizes shown are stocked.

How We Can Serve You

RBC has implemented a total quality control system that uses statistical quality control at all facilities, and manufactures in high volume to a just-in-time program.

To serve the ongoing needs of customers, RBC has a network of over 1,600 distributors and sales engineers throughout the US, Europe, and South America, with authorized agents worldwide. For assistance with your bearing application, contact:

Customer Service - 800.390.3300

Warranty

RBC products are warranted for material and workmanship for a period not to exceed 90 days from shipment and for a value not to exceed purchase price. No other warranty is in effect.



Tyson Tapered Roller Bearings Company History

The Tyson Bearing Company was founded in 1929 by Frank Tyson for the purpose of manufacturing a unique design cageless tapered roller bearing. A factory was built in Massillon, Ohio and production began in 1930. In 1939 the company was placed on the Navy approved materials list and became a member of the AFBMA (now the ABMA).

During the war years the company produced a variety of war munitions, as well as bearings. Immediately following the war, production was expanded to include traditional cage type tapered roller bearings.

In 1955, the company was acquired by SKF Industries Inc., but continued to operate under the Tyson name and trademark. In 1965 SKF built a second factory in Glasgow, Kentucky for the purpose of manufacturing Tyson tapered roller bearings for automotive wheel bearing applications. In 1976 the size of the plant was doubled to its current configuration.

In 1981, it was decided to market the products as SKF bearings, and the Tyson trademark was retired from active use.

In the 1980's the market demand for the types of bearing produced by Tyson changed and the result was a consolidation of the production of the Massillon plant into the newer plant in Glasgow. The original plant in Massillon was closed at the end of 1985.

RBC purchased the TRB operations of SKF USA Inc. in June 1999. The name of the company again became Tyson Bearing Company, Inc. and the Tyson brand name and trademark were reactivated after a hiatus of almost 20 years.

In 2001 RBC purchased the assets of Driveline Technologies, an Oklahoma based company that manufactures tapered thrust bearings primarily for the heavy duty truck market. Recognizing the synergies between the two products, the tapered thrust bearings were incorporated into the Tyson product line and offered under the Tyson name.

Quality - A Tradition of Tyson Bearing Company

Many of Tyson's employees have over 30 years experience in the manufacture of tapered roller bearings. Both the Glasgow and Oklahoma City factories are a certified supplier to many of their customers and enjoy an excellent reputation in the industry. Tyson Bearing Company is QS 9000 certified for the design, manufacture and assembly of tapered roller bearings, and the quality systems and equipment are state of the art.

Tyson Tapered Roller Bearing Cones and Cups - Available Separately or as Sets

Tapered roller bearing cups and cones are not just ordinary bearings. A bearing is a complete unit. Cups and cones retain their separate identity and can be purchased separately. They can also be interchanged at will within a given series. In the United States, the majority of tapered roller bearings are purchased as separate cups and cones. Within a given series we can also furnish bearings packaged as a cup and cone set, a complete bearing unit. Due to the variability in other manufacturers' processes, we recommend pairing a Tyson cone and cup for optimum performance in most applications.

The Tyson Tapered Roller Bearing - Another Name for Long and Reliable Service

Although all ABMA-designated inch tapered roller bearings with a given part number are theoretically interchangeable, the design of Tyson bearings and the manufacturing processes in our Glasgow, Kentucky factory provide the benefits and reliability demanded by your application at the most competitive prices offered in the industry for comparable products. The internal geometry provides additional benefits that are lacking in many other products currently being marketed as "equivalent."

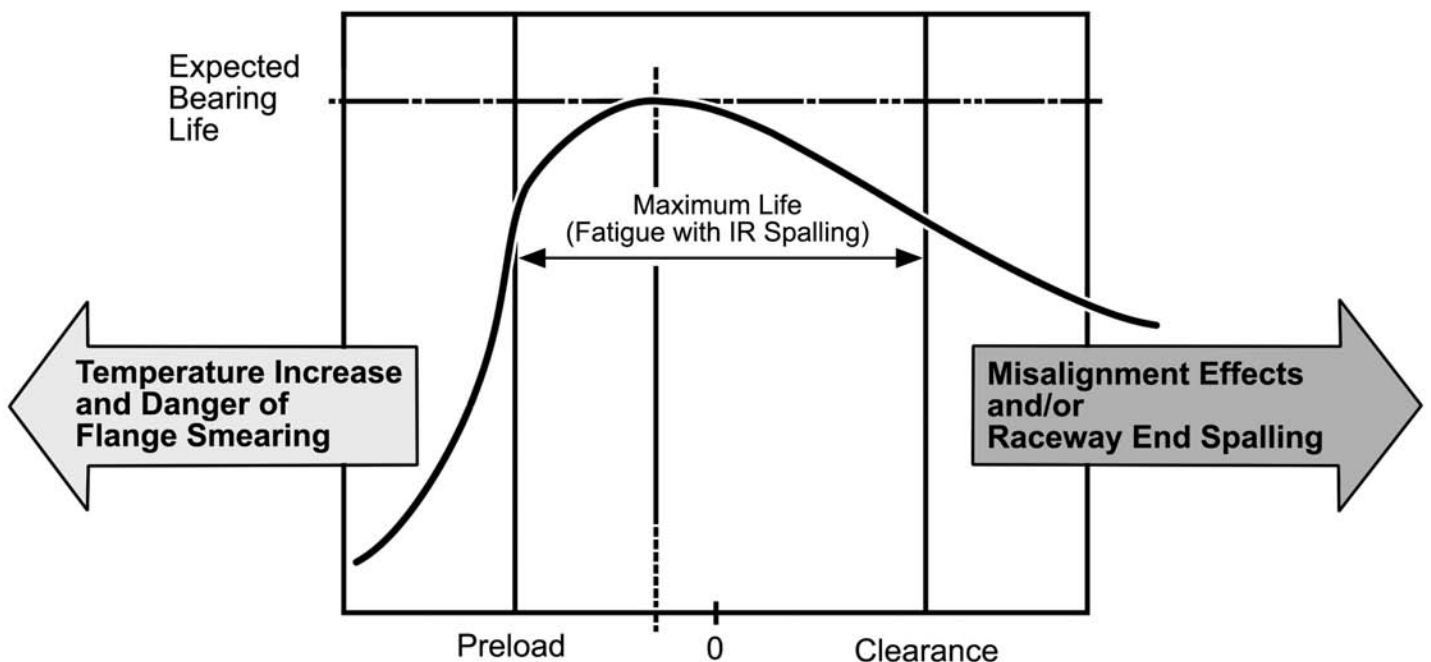
Installation and Maintenance

Tapered roller bearings should always be installed and maintained according to the original equipment manufacturer's recommendations. Failure to lubricate, install, adjust, and maintain these bearings properly can result in shortened bearing life, equipment failure and personal injury.

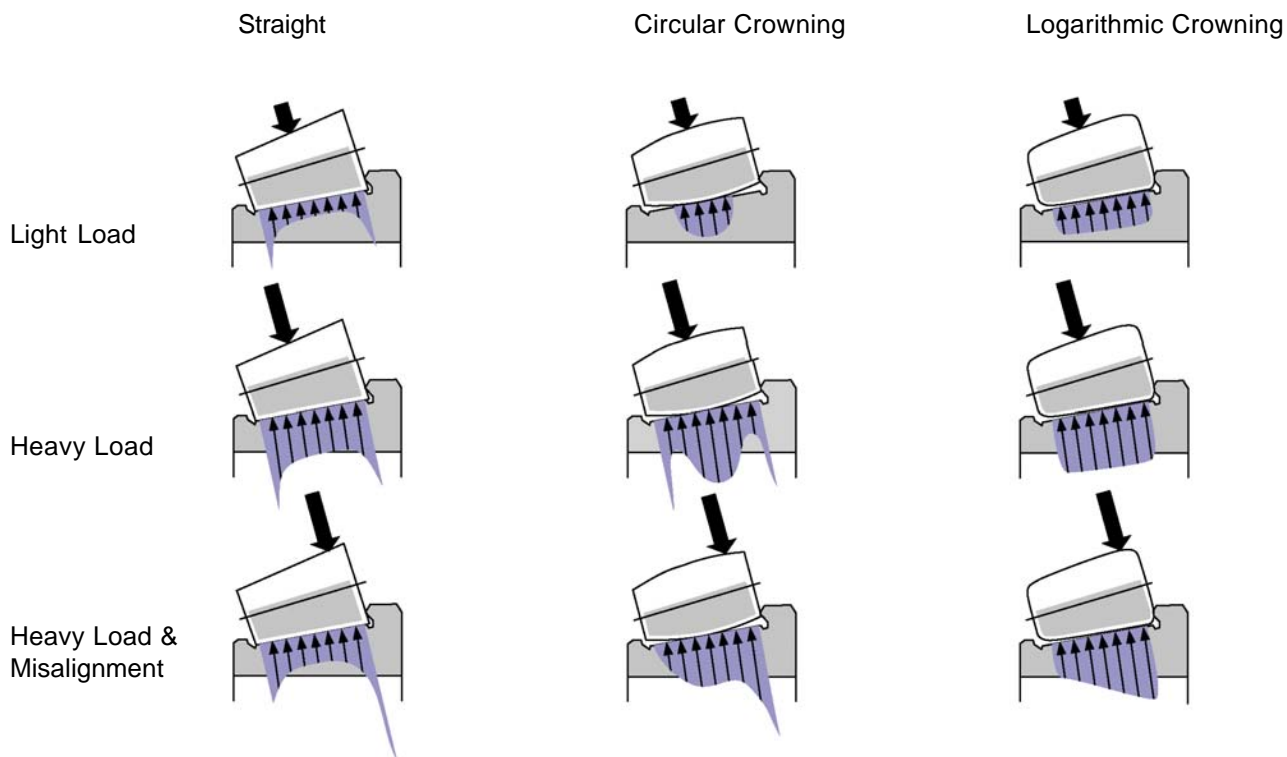
Tyson tapered roller bearings come from the factory with a light coat of preservative designed to keep the bearings from rusting. It does not provide adequate operating lubrication. The bearings must either be thoroughly greased or immersed in the oil used in oil bath lubrication before assembly. The bearings and lubricant must be kept very clean through the installation process. It is not necessary to remove the preservative coating before installation as long as the bearing is clean.

Adjustment of the bearings is critical to achieving the best possible bearing life. As shown in the graph, a slight amount of preload provides maximum life, but it falls off dramatically if too much preload is applied. Many applications recommend a small amount of end play in the final adjustment because preload is hard to measure without equipment specifically designed for that purpose, and that equipment is not normally available in the field. Again, it is most important that the OEM's instructions are followed with regard to bearing adjustment and maintenance.

Effect of Preload or Clearance on Life and Failure Mode



The RBC/Tyson Advantage Logarithmic Crowning of Inner Ring Raceways



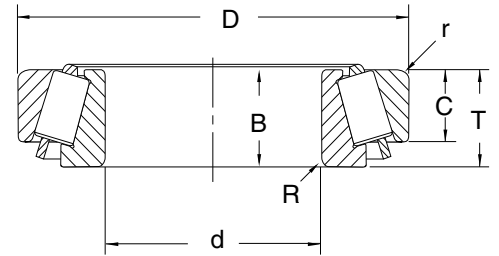
Stress Distribution with Different Raceway Profiles

Your best value is RBC Tyson tapered roller bearings:

- Your choice of case hardened or through hardened inner rings, rollers and outer rings
 - Optimized roller flange contact with improved flange and roller large end surfaces
 - Improved roller/raceway contact with superior roller surface finishes and logarithmic inner ring raceway profile
 - Longer service life
 - Increased load carrying capacity
 - Lower maintenance
 - Lower operating temperatures
- Tyson's devotion to quality has made RBC Tyson bearings top performers in some of the most demanding applications.
 - Tyson tapered roller bearings are interchangeable with other tapered roller bearings manufactured to ABMA specifications.
 - RBC is the largest privately owned bearing company in the USA.

Tyson Tapered Roller Bearing Availability by Part Number

Tyson focuses on manufacturing tapered roller bearings in the dimensional range of 3.5" to 8" cup OD. Tyson can currently manufacture the following cups and cones, listed by series. Not all of these are available from stock and some have minimum purchase quantities. Please consult your RBC/Tyson sales representative regarding availability and pricing of any of these bearings. Part numbers not listed, but within the specified size range will be considered for production on a case by case basis, again please consult your RBC/Tyson sales representative regarding availability of part numbers not listed. Tyson products are available in both bulk and single boxes to meet both your and your customer's packaging requirements.

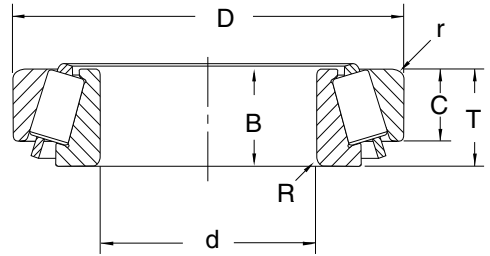


SERIES	CONE	d BORE	B WIDTH	R MAX SFT FILLET RADIUS	WEIGHT lb/kg	CUP	D O.D.	C WIDTH	r MAX HSG FILLET RADIUS	T BEARING WIDTH	WEIGHT lb/kg
385	387	2.2500	0.8640	0.09	0.87	382	3.8750	0.7018	0.03	0.8268	0.49
		57.150	21.946	2.3	0.39		98.425	17.826	0.8	21.000	0.22
	387 A	2.2500	0.8640	0.14	0.89	382 A	3.8125	0.6250	0.03	0.8268	0.39
		57.150	21.946	3.5	0.40		96.838	15.875	0.8	21.000	0.18
	387 AS	2.2500	0.8640	0.20	0.86	382 S	3.8125	0.7982	0.09	1.0000	0.55
		57.150	21.946	5.1	0.39		96.838	20.274	2.3	25.400	0.25
387 S	2.2500	0.8640	0.03	0.91	383	3.9370	0.8268	0.08	0.8268	0.63	
	57.150	21.946	0.8	0.41		100.000	21.000	2.0	21.000	0.29	
388 A	2.2650	0.8640	0.14	0.87	383 A	3.9370	0.7018	0.08	0.8268	0.57	
	57.531	21.946	3.5	0.39		100.000	17.826	2.0	21.000	0.26	
395	390	2.2500	0.8660	0.09	1.47	394 A	4.3307	0.7411	0.05	0.8661	0.57
		57.150	21.996	2.3	0.67		110.000	18.824	1.3	22.000	0.26
	390 A	2.5000	0.8660	0.06	1.25	394 AS	4.3307	0.7411	0.13	0.8661	0.57
		63.500	21.996	1.5	0.57		110.000	18.824	3.3	22.000	0.26
	392	2.4375	0.8660	0.03	1.33						
		61.912	21.996	0.8	0.60						
	395	2.5000	0.8660	0.14	1.24						
		63.500	21.996	3.5	0.56						
395 A	2.6250	0.8660	0.03	1.20							
	66.675	21.996	0.8	0.54							
395 S	2.6250	0.8660	0.14	1.14							
	66.675	21.996	3.5	0.52							
399 A	2.6875	0.8660	0.09	1.09							
	68.262	21.996	2.3	0.49							
455	455	2.0000	1.1542	0.03	1.77	453 A	4.2500	0.8750	0.03	1.0938	0.93
		50.800	29.317	0.8	0.80		107.950	22.225	0.8	27.782	0.42
	460	1.7500	1.1542	0.14	1.98	453 X	4.1250	0.9687	0.13	1.1875	0.82
		44.450	29.317	3.5	0.90		104.775	24.605	3.3	30.162	0.37
	462	2.2500	1.1542	0.09	1.48						
		57.150	29.317	2.3	0.67						
462 A	2.2500	1.1542	0.09	1.50							
	57.150	29.317	2.3	0.68							
467	1.8750	1.1542	0.03	1.88							
	47.625	29.317	0.8	0.85							
495	495	3.2500	1.1720	0.14	2.34	492 A	5.2500	0.8750	0.13	1.1875	0.95
		82.550	29.769	3.5	1.06		133.350	22.225	3.3	30.162	0.43
	495 A	3.0000	1.1720	0.14	2.75	493	5.3750	0.8750	0.13	1.1875	1.19
		76.200	29.769	3.5	1.25		136.525	22.225	3.3	30.162	0.54
	495 AS	3.0625	1.1720	0.14	2.72						
		77.788	29.769	3.5	1.23						
	495 AX	3.0000	1.1720	0.25	2.73						
		76.200	29.769	6.4	1.24						
	496	3.1875	1.1720	0.14	2.44						
		80.962	29.769	3.5	1.11						
	497	3.3750	1.1720	0.14	2.13						
		85.725	29.769	3.5	0.97						
497 A	3.3750	1.1720	0.25	2.12							
	85.725	29.769	6.4	0.96							
498	3.3125	1.1720	0.14	2.23							
	84.138	29.769	3.5	1.01							

Inch Dimensions are in Bold Print



Tyson

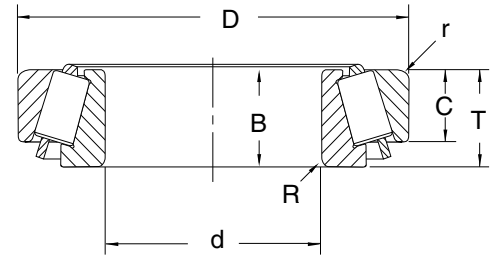


SERIES	CONE	d BORE	B WIDTH	R MAX SFT FILLET RADIUS	WEIGHT lb/kg	CUP	D O.D.	C WIDTH	r MAX HSG FILLET RADIUS	T BEARING WIDTH	WEIGHT lb/kg		
555	555 S	2.2500	1.4440	0.14	3.04	552 A	4.8750	1.1875	0.13	1.5000	1.67		
		57.150	36.678	3.5	1.38		123.825	30.162	3.3	38.100	0.76		
	557 S	2.1250	1.4440	0.14	3.25		553 X	4.8125	1.1875	0.13	1.5000	1.51	
		53.975	36.678	3.5	1.47			122.238	30.162	3.3	38.100	0.68	
	559	2.5000	1.4440	0.14	2.74								
	63.500	36.678	3.5	1.24									
560	2.6250	1.4440	0.14	2.50									
		66.675	36.678	3.5	1.13								
565	566	2.7500	1.4240	0.14	2.70	562	5.1200	1.1250	0.03	1.4375	1.76		
		69.850	36.170	3.5	1.22		130.048	28.575	0.8	36.512	0.80		
	567	2.8750	1.4240	0.14	2.48		563	5.0000	1.1250	0.13	1.4375	1.43	
		73.025	36.170	3.5	1.12			127.000	28.575	3.3	36.512	0.65	
	567 A	2.8125	1.4240	0.14	2.60								
	71.438	36.170	3.5	1.18									
568	2.9062	1.4240	0.03	2.44									
		73.817	36.170	0.8	1.11								
575	575	3.0000	1.4212	0.14	3.48	572	5.5115	1.1250	0.13	1.4375	1.74		
		76.200	36.098	3.5	1.58		139.992	28.575	3.3	36.512	0.79		
	576	2.8750	1.4212	0.14	3.72								
		73.025	36.098	3.5	1.69								
	580	3.2500	1.4212	0.14	3.00								
		82.550	36.098	3.5	1.36								
581	3.1875	1.4212	0.14	3.12									
	80.962	36.098	3.5	1.42									
595	593	3.5000	1.4300	0.14	3.75	592	6.0000	1.3125	0.13	1.5625	2.46		
		88.900	36.322	3.5	1.70		152.400	33.338	3.3	39.688	1.12		
	593 A	3.5000	1.4300	0.25	3.71		592 A	6.0000	1.1875	0.13	1.5625	2.32	
		88.900	36.322	6.4	1.68			152.400	30.162	3.3	39.688	1.05	
	594	3.7500	1.4300	0.14	3.16								
		95.250	36.322	3.5	1.43								
	594 A	3.7500	1.4300	0.20	3.14								
		95.250	36.322	5.0	1.42								
	595	3.2500	1.4300	0.14	4.32								
		82.550	36.322	3.5	1.96								
	595 A	3.1250	1.4300	0.14	4.55								
		79.375	36.322	3.5	2.06								
596	3.3750	1.4300	0.14	4.02									
	85.725	36.322	3.5	1.82									
598	3.6250	1.4300	0.14	3.47									
	92.075	36.322	3.5	1.57									
598 A	3.6250	1.4300	0.25	3.41									
	92.075	36.322	6.4	1.55									
615	621	2.1250	1.6250	0.14	2.94	612	4.7500	1.2500	0.13	1.6250	1.89		
		53.975	41.275	3.5	1.33		120.650	31.750	3.3	41.275	0.86		
	623	2.2500	1.6250	0.14	2.72								
		57.150	41.275	3.5	1.23								

Inch Dimensions are in Bold Print



Tyson

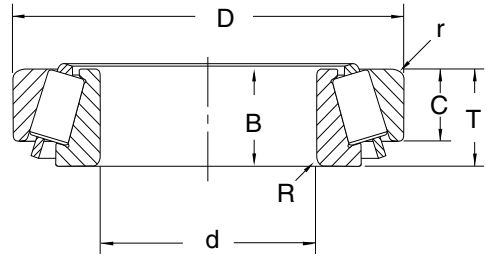


SERIES	CONE	d BORE	B WIDTH	R MAX SFT FILLET RADIUS	WEIGHT lb/kg	CUP	D O.D.	C WIDTH	r MAX HSG FILLET RADIUS	T BEARING WIDTH	WEIGHT lb/kg
635						632	5.3750 136.525	1.2500 31.7500	0.13 3.3	1.6250 41.275	2.28 1.03
						633	5.1250 130.175	1.2500 31.750	0.13 3.3	1.6250 41.275	1.56 0.71
655	655	2.7500	1.6250	0.14	5.23	652	6.0000	1.2500	0.13	1.6250	2.81
		69.850	41.275	3.5	2.37		152.400	31.750	3.3	41.275	1.27
	659	3.0000	1.6250	0.14	4.70	653	5.7500	1.2500	0.13	1.6250	1.95
		76.200	41.275	3.5	2.13		146.050	31.750	3.3	41.275	0.88
	663	3.2500	1.6250	0.14	4.07						
		82.550	41.275	3.5	1.85						
665	3.3750	1.6250	0.14	3.83							
	85.725	41.275	3.5	1.74							
665 A	3.3750	1.6250	0.25	3.82							
	85.725	41.275	6.4	1.73							
675	679	3.5000	1.6250	0.14	6.08	672	6.6250	1.1875	0.13	1.6250	2.71
		88.900	41.275	3.5	2.76		168.275	30.162	3.3	41.275	1.23
	681	3.6250	1.6250	0.14	5.80						
		92.075	41.275	3.5	2.63						
	681 A	3.6250	1.6250	0.25	5.68						
		92.075	41.275	6.4	2.58						
	683	3.7500	1.6250	0.14	5.41						
		95.250	41.275	3.5	2.45						
	683 XA	3.7500	1.6250	0.20	5.35						
		95.250	41.275	5.0	2.43						
685	3.8750	1.6250	0.14	5.03							
	98.425	41.275	3.5	2.28							
687	4.0000	1.6250	0.14	4.68							
	101.600	41.275	3.5	2.12							
745	740	3.1875	1.8375	0.20	5.12	742	5.9090	1.4375	0.13	1.7500	2.32
		80.962	46.672	5.0	2.32		150.089	36.512	3.3	44.450	1.05
	744	2.8750	1.8375	0.14	5.89						
		73.025	46.672	3.5	2.67						
	745 A	2.7500	1.8375	0.14	6.21						
		69.850	46.672	3.5	2.82						
	748 S	3.0000	1.8375	0.14	5.59						
		76.200	46.672	3.5	2.54						
	749	3.3475	1.8375	0.14	4.70						
		85.026	46.672	3.5	2.13						
	749 A	3.2500	1.8375	0.14	4.95						
		82.550	46.672	3.5	2.25						
	749 S	3.3475	1.8375	0.20	4.70						
		85.026	46.672	5.0	2.13						
750	3.1250	1.8375	0.14	5.35							
	79.375	46.672	3.5	2.43							
750 A	3.2500	1.8375	0.27	4.97							
	82.550	46.672	6.9	2.25							

Inch Dimensions are in Bold Print

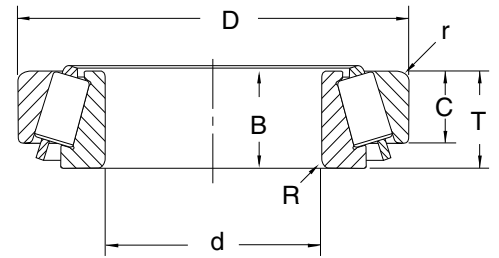


Tyson



SERIES	CONE	d BORE	B WIDTH	R MAX SFT FILLET RADIUS	WEIGHT lb/kg	CUP	D O.D.	C WIDTH	r MAX HSG FILLET RADIUS	T BEARING WIDTH	WEIGHT lb/kg												
755	755	3.0000	1.9000	0.14	6.83	752	6.3750	1.5000	0.13	1.8750	3.50												
		76.200	48.260	3.5	3.10		161.925	38.100	3.3	47.625	1.59												
	756 A	3.1250	1.9000	0.31	6.55		752 A	6.2990	1.5000	0.03	1.8750	3.21											
		79.375	48.260	8.0	2.97			159.995	38.100	0.8	47.625	1.46											
	757	3.2500	1.9000	0.14	6.20		772	7.1250	1.5000	0.13	1.8750	4.27											
		82.550	48.260	3.5	2.81																		
	758	3.3750	1.9000	0.14	5.62								782	180.975	38.100	3.3	47.625	1.94					
		85.725	48.260	3.5	2.55																		
	759	3.5000	1.9000	0.14	5.25								786	104.775	48.006	3.5	2.92	2.92					
88.900		48.260	3.5	2.38																			
760	3.5625	1.9000	0.14	5.06	787	104.775							48.006	6.4	2.89	6.38							
	90.488	48.260	3.5	2.30																			
766	3.5000	1.9000	0.28	5.44	787	104.775							48.006	7.1	2.89	6.38							
	88.900	48.260	7.0	2.47																			
775	780	4.0000	1.8900	0.14	6.89	3720	3.6718	0.9375	0.13	1.1875	0.63												
		101.600	48.006	3.5	3.13																		
	3778	1.8750	1.1930	0.25	1.32							3732	3.8750	0.9375	0.13	1.1875	0.95						
		47.625	30.302	6.4	0.60													98.425	23.812	3.3	30.162	0.43	
	3779	1.8750	1.1930	0.14	1.33							3780	50.800	30.302	3.5	0.60	0.60						
		47.625	30.302	3.5	0.60																		
	3782	2.0000	1.1930	0.14	1.22													3782	44.450	30.302	3.5	0.66	1.46
		50.800	30.302	3.5	0.55																		
	3783	1.7500	1.1930	0.14	1.46													3783	44.450	30.302	3.5	0.66	1.48
44.450		30.302	6.4	0.67																			
3795	2.0000	1.1930	0.14	1.21	3795	50.800	30.302	3.5	0.55	1.21													
	50.800	30.302	3.5	0.55																			
3900	3979	2.2500	1.1830	0.14	2.01	3920	4.4375	0.9375	0.13	1.1875	1.00												
		57.150	30.048	3.5	0.91																		
	3982	2.5000	1.1830	0.14	1.69							3925	112.712	23.812	3.3	30.162	0.45						
		63.500	30.048	3.5	0.77													112.712	23.812	0.8	30.162	0.46	
	3984	2.6250	1.1830	0.14	1.52							3926	112.712	26.988	3.3	33.338	0.54						
66.675		30.048	3.5	0.69																			
3994	2.6250	1.1830	0.22	1.51	3994	66.675	30.048	5.5	0.68	1.51													
	66.675	30.048	5.5	0.68																			
5500	5535	3.0000	1.8150	0.14	4.05	5535	4.8125	1.4375	0.13	1.7188	1.78												
							122.238	36.512	3.3	43.658	0.81												
5700	5760	3.0000	1.8150	0.14	4.05	5735	5.3438	1.3750	0.13	1.7500	1.95												
		76.200	46.100	3.5	1.84		135.733	34.925	3.3	44.450	0.88												

Inch Dimensions are in Bold Print

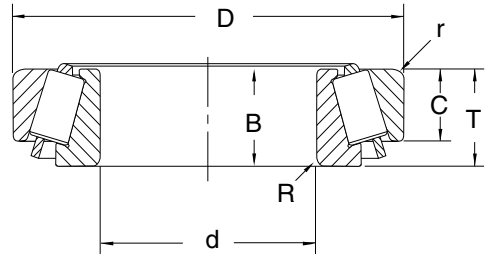


SERIES	CONE	d BORE	B WIDTH	R MAX SFT FILLET RADIUS	WEIGHT lb/kg	CUP	D O.D.	C WIDTH	r MAX HSG FILLET RADIUS	T BEARING WIDTH	WEIGHT lb/kg	
6300	6379	2.5625	2.2050	0.14	4.99	6320	5.3447	1.7500	0.13	2.1250	3.05	
		65.088	56.007	3.5	2.26		135.755	44.450	3.3	53.975	1.38	
	6386	2.6250	2.2050	0.17	4.80		6321	5.1875	1.7500	0.13	2.1250	2.41
		66.675	56.007	4.3	2.18			131.762	44.450	3.3	53.975	1.09
6400	6461	2.6250	2.2050	0.25	4.80	6420	5.8750	1.7500	0.13	2.1250	3.57	
		66.675	56.007	6.4	2.18		149.225	44.450	3.3	53.975	1.62	
	6461 A	3.0000	2.1350	0.38	5.70		5.8750	1.7500	0.13	2.1250	3.57	
6500	6580	76.200	54.229	3.5	2.64	6535	6.3750	1.6875	0.13	2.1250	3.66	
		76.200	54.229	9.7	2.59		161.925	42.862	3.3	53.974	1.66	
	6581 X	3.5433	2.1693	0.12	6.54		6535 W	6.3750	1.6875	0.13	2.1250	3.66
29500		90.000	55.100	3.0	2.97	29520	4.2500	0.7500	0.13	1.0000	0.61	
							107.950	19.050	3.3	25.400	0.28	
29600	29675	2.7500	1.0000	0.06	1.46	29620	4.4375	0.7500	0.13	1.0000	0.60	
		69.850	25.400	1.5	0.66		112.712	19.050	3.3	25.400	0.27	
	29685	2.8750	1.0000	0.14	1.30		29630	4.7500	0.7500	0.13	1.0000	1.06
33000	33275	73.025	25.400	3.5	0.59	33462	4.6250	0.9375	0.13	1.1875	0.94	
		73.025	25.400	3.5	0.79		117.475	23.812	3.3	30.162	0.43	
	33281	2.8125	1.1875	0.14	1.70		33472	4.7244	0.9230	0.03	1.1730	1.15
	71.438	30.162	3.5	0.77	120.000			23.444	0.8	29.794	0.52	
33287	2.8750	1.1875	0.14	1.61								
36600	36690	73.025	30.162	3.5	0.73							
		146.050	28.575	1.5	1.54							
	36691	5.7500	1.1250	0.19	3.35							
39500	39580	146.050	28.575	4.8	1.52	39520	4.4375	0.9375	0.13	1.1875	0.78	
		57.150	30.162	3.5	1.03		112.712	23.812	3.3	30.162	0.35	
	39581	2.2500	1.1875	0.31	2.18							
	57.150	30.162	8.0	0.99								
	39585	2.5000	1.1875	0.14	1.95							
42000	42346	63.500	30.162	3.5	0.88	42584	5.8437	0.8438	0.12	1.1250	1.20	
		39590	2.6250	1.1875	0.14		1.78	148.430	21.433	3.0	28.575	0.54
	66.675	30.162	3.5	0.81	42586		5.8437	1.2500	0.13	1.3750	1.83	
45200	42362	92.075	28.971	3.5	1.28	42586	5.8437	1.2500	0.13	1.3750	1.83	
		42381	3.8125	1.1406	0.14		2.44	148.430	31.750	3.3	34.925	0.83
	96.838	28.971	3.5	1.11								
45200						45220	4.1250	0.9375	0.13	1.1875	0.76	
							104.775	23.812	3.3	30.162	0.34	
						45221	4.1250	0.9375	0.03	1.1875	0.77	
						104.775	23.812	0.8	30.162	0.35		

Inch Dimensions are in Bold Print

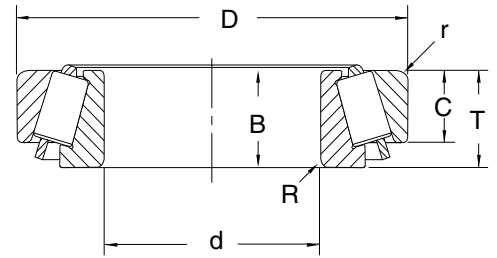


Tyson



SERIES	CONE	d BORE	B WIDTH	R MAX SFT FILLET RADIUS	WEIGHT lb/kg	CUP	D O.D.	C WIDTH	r MAX HSG FILLET RADIUS	T BEARING WIDTH	WEIGHT lb/kg	
47600	47678	3.0000	1.3125	0.25	2.89	47620	5.2500	1.0313	0.13	1.3125	1.26	
		76.200	33.338	6.4	1.31		133.350	26.195	3.3	33.338	0.57	
	47679	3.0000	1.3125	0.14	2.94							
	76.200	33.338	3.5	1.33								
	47686	3.2500	1.3125	0.14	2.48							
82.550	33.338	3.5	1.12									
47687	3.2500	1.3125	0.27	2.45								
82.550	33.338	6.8	1.11									
47800	47890	3.6250	1.3750	0.14	3.08	47820	5.7500	1.0313	0.13	1.3125	1.45	
		92.075	34.925	3.5	1.40		146.050	26.195	3.3	33.338	0.66	
48200						48220	7.1875	1.3125	0.13	1.5625	2.50	
							182.562	33.338	3.3	39.688	1.13	
55000 C	55175 C	1.7500	1.0594	0.14	2.11	55437	4.3750	0.8125	0.13	1.1875	1.11	
		44.450	26.909	3.5	0.96		111.125	20.638	3.3	30.162	0.50	
	55200 C	2.0000	1.0594	0.14	1.89							
		50.800	26.909	3.5	0.86							
56000	56418	4.1875	1.4375	0.14	4.06	56650	6.5000	1.0625	0.13	1.4375	1.88	
		106.362	36.512	3.5	1.84		165.100	26.988	3.3	36.512	0.85	
	56425	4.2500	1.4375	0.14	4.02							
		107.950	36.512	3.5	1.82							
64000	64450	4.5000	1.6250	0.14	5.31	64700	7.0000	1.1875	0.13	1.6250	2.43	
		114.300	41.275	3.5	2.41		177.800	30.162	3.3	41.275	1.10	
65000						65500	5.0000	1.3750	0.13	1.7500	2.25	
							127.000	34.925	3.3	44.450	1.02	
72000 C	72187 C	1.8750	1.2910	0.14	3.20	72487	4.8750	1.0000	0.13	1.4375	1.72	
		47.625	32.791	3.5	1.45		123.825	25.400	3.3	36.512	0.78	
	72188 C	1.8750	1.2910	0.03	3.26							
	47.625	32.791	0.8	1.48								
	72200 C	2.0000	1.2910	0.14	3.12							
	50.800	32.791	3.5	1.42								
	72201 C	2.0000	1.2910	0.03	3.12							
	50.800	32.791	0.8	1.42								
	72212 C	2.1250	1.2910	0.14	2.97							
	53.975	32.791	3.5	1.35								
72218 C	2.1875	1.2910	0.14	2.89								
55.562	32.791	3.5	1.31									
72225 C	2.2500	1.2910	0.14	2.81								
57.150	32.791	3.5	1.28									
HM 212000	HM 212044	2.3750	1.5100	0.31	3.14	HM 212010	4.8125	1.1700	0.06	1.5000	1.32	
		60.325	38.354	8.0	1.42		122.238	29.718	1.5	38.100	0.60	
	HM 212046	2.5000	1.5100	0.14	2.89	HM 212011	4.8125	1.1700	0.13	1.5000	1.31	
	63.500	38.354	3.5	1.31	122.238		29.718	3.3	38.100	0.59		
	HM 212047	2.5000	1.5100	0.28	2.93							
	63.500	38.354	7.0	1.33								
HM 212049	2.6250	1.5100	0.14	2.68								
66.675	38.354	3.5	1.22									
HM 212049 X	2.6250	1.5100	0.28	2.75								
66.675	38.354	7.0	1.25									
HM 218200	HM 218248	3.5423	1.5748	0.28	3.80	HM 218210	5.7864	1.2795	0.14	1.5748	1.73	
		89.974	40.000	7.0	1.72		146.975	32.500	3.5	40.000	0.78	

Inch Dimensions are in Bold Print



SERIES	CONE	d BORE	B WIDTH	R MAX SFT FILLET RADIUS	WEIGHT lb/kg	CUP	D O.D.	C WIDTH	r MAX HSG FILLET RADIUS	T BEARING WIDTH	WEIGHT lb/kg	
H 414200						H 414210	5.3750 136.525	1.2500 31.750	0.13 3.3	1.6250 41.275	1.75 0.79	
	HM 516400	HM 516448	3.2500 82.550	1.5625 39.688	0.27 6.8	3.08 1.39	HM 516410	5.2500 133.350	1.2813 32.545	0.13 3.3	1.5625 39.688	1.71 0.78
		HM 516449	3.2500 82.550	1.5625 39.688	0.14 3.5	3.09 1.40						
		HM 516449 A	3.2500 82.550	1.5625 39.688	0.25 6.2	2.98 1.35						
HM 518400	HM 518445	3.5000 88.900	1.5625 39.688	0.25 6.4	4.41 2.00	HM 518410	6.0000 152.400	1.1875 30.162	0.13 3.3	1.5625 39.688	1.70 0.77	
H 715300	H 715334	2.4375 61.912	1.8125 46.038	0.14 3.5	5.54 2.51	H 715310	5.5000 139.700	1.4375 36.512	0.13 3.3	1.8125 46.038	2.54 1.15	
	H 715343	2.6875 68.262	1.8125 46.038	0.14 3.5	5.10 2.31	H 715311	5.3750 136.525	1.4375 36.512	0.13 3.3	1.8125 46.038	2.12 0.96	
	H 715345		2.8125 71.438	1.8125 46.038	0.14 3.5	4.64 2.10	H 715311 W	5.3750 136.525	1.5625 39.688	0.13 3.3	1.9375 49.213	2.34 1.06
							H 715313 W	5.3750 136.525	1.5625 39.688	0.13 3.3	1.9375 49.213	2.34 1.06
M 716600	JM 716648	3.3465 85.000	1.1417 29.000	0.24 6.0	2.01 0.91	JM 716610	5.1181 130.000	0.9449 24.000	0.10 2.5	1.1811 30.000	1.00 0.45	
	JM 716649	3.3465 85.000	1.1417 29.000	0.12 3.0	2.03 0.92							
HM 813800	HM 813841	2.3750 60.325	1.4375 36.512	0.14 3.5	3.37 1.53	HM 813811	5.0000 127.000	1.0625 26.988	0.06 1.5	1.4375 36.512	1.38 0.63	
	HM 813849	2.8125 71.438	1.4375 36.512	0.14 3.5	2.66 1.21							
M 822000	JM 822049	4.3307 110.000	1.3780 35.000	0.12 3.0	3.56 1.61	JM 822010	6.4961 165.000	1.0433 26.500	0.10 2.5	1.3780 35.000	1.80 0.82	
HM 903200	HM 903247	1.7500 44.450	1.1142 28.300	0.05 1.3	1.32 0.60	HM 903210	3.7500 95.250	0.8750 22.225	0.03 0.8	1.2188 30.958	0.85 0.39	
	HM 903249	1.7500 44.450	1.1250 28.575	0.14 3.5	1.31 0.59							
	HM 903249 A	1.7500 44.450	1.1142 28.300	0.14 3.5	1.41 0.64							

Inch Dimensions are in Bold Print

ISO Class Bearings:

30221J2	R30221J2	105.000	36.000	3.0	2.85	L30221	190.000	30.000	2.5	39.000	1.41
		4.1339	1.4173	0.12	6.28		7.4803	1.1811	0.10	1.5354	3.11
32022X	R32022X	110.000	38.000	2.5	2.16	L32022	170.000	29.000	2.0	38.000	0.87
		4.3307	1.4961	0.10	4.76		6.6929	1.1417	0.08	1.4961	1.92

For ISO Class Bearings, Dimensions in Bold Print are in mm and Weight in kg.

Tyson Tapered Thrust Bearings

The primary application for these bearings is in the heavy truck and trailer industry. Applications include steer axles for trucks, tractors, and construction equipment, and landing gear for class 8 trailers. Due to the tapered roller design, these bearings offer significant thrust load capacity and can be used in a variety of other applications where that is a requirement. Both the races and rollers of the thrust bearings are case hardened which offers advantages in applications where shock loads and/or misalignment are present.

Tyson utilizes a full complement of rollers where possible, which provides higher load capacity than designs using roller retainers. Also, there is better roller alignment with the full complement design. This improves the life of the bearing.

As an option, Tyson offers many sizes of thrust bearings with an integral seal. These bearings are designated with a -S suffix. This provides ease of installation and simplifies the design of the end product. Bearings can also be supplied greased as an option. Greased bearings are designated with a -GX suffix.

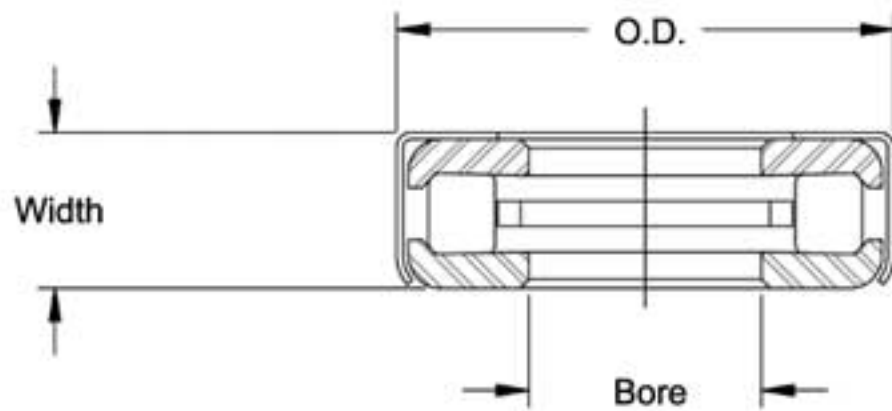
Tyson stocks most of the sizes shown in the following section of this catalog. In addition Tyson will consider adding new sizes to the existing product assortment on a case-by-case basis. Tyson products are available in both bulk and single boxes to meet customers' packaging requirements.



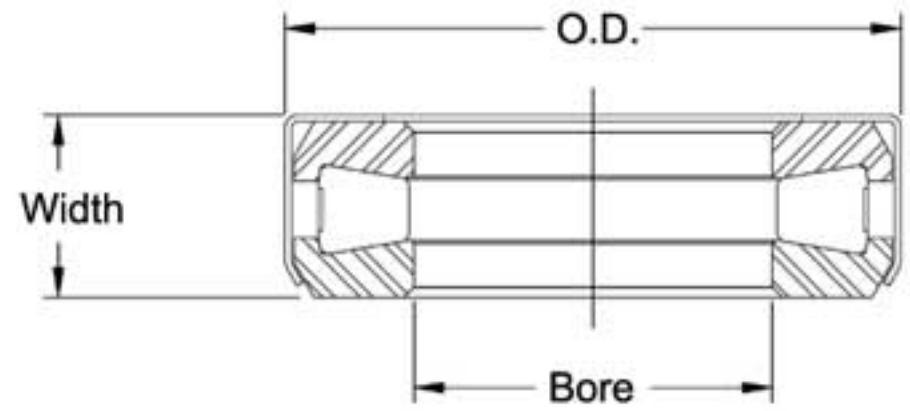
Tyson Tapered Thrust Bearings

Tyson Tapered Thrust bearings are manufactured in the RBC's Oklahoma City, Oklahoma plant. The rollers and races are constructed from high grade bearing steel and are case hardened. Sealed, unsealed, and greased versions are available. Tyson manufactures the most popular sizes for truck steer axle, trailer landing gear, and other industrial applications. Most of the sizes shown are stocked.

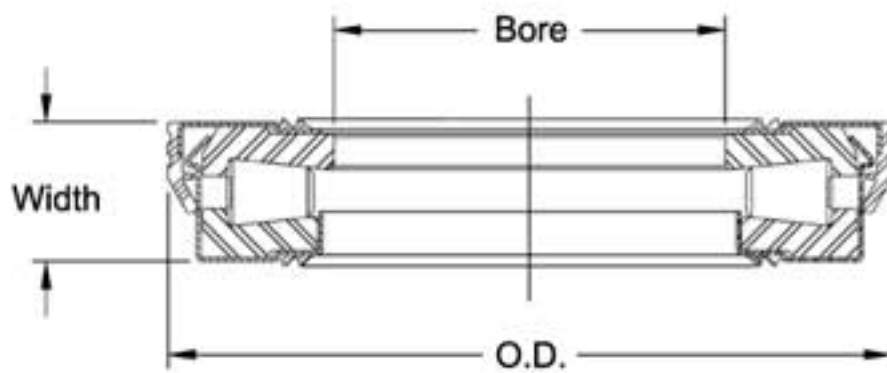
Tyson Tapered Thrust bearings have been developed in 6 configurations. Please refer to the table on the opposite page to determine which style corresponds to your part number.



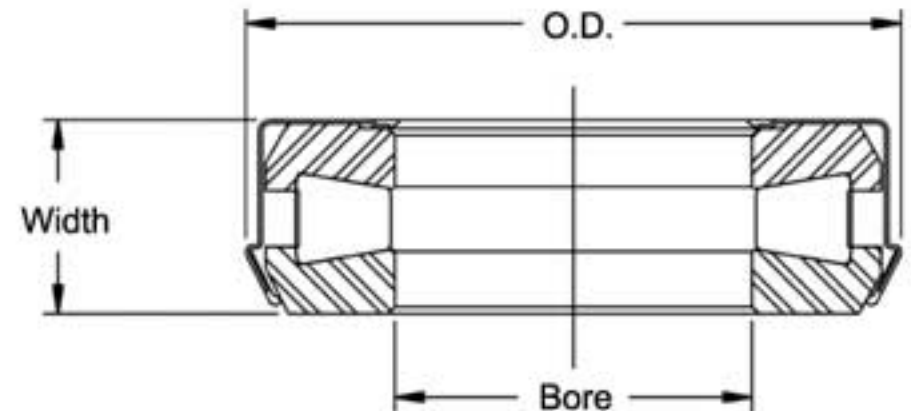
Style 1



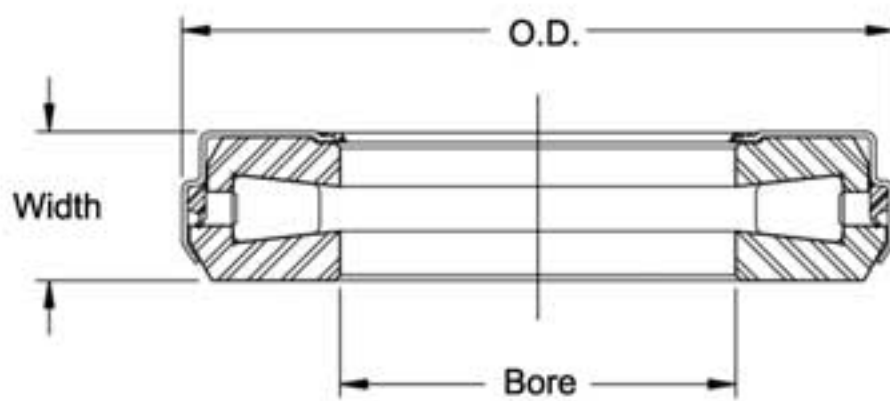
Style 2



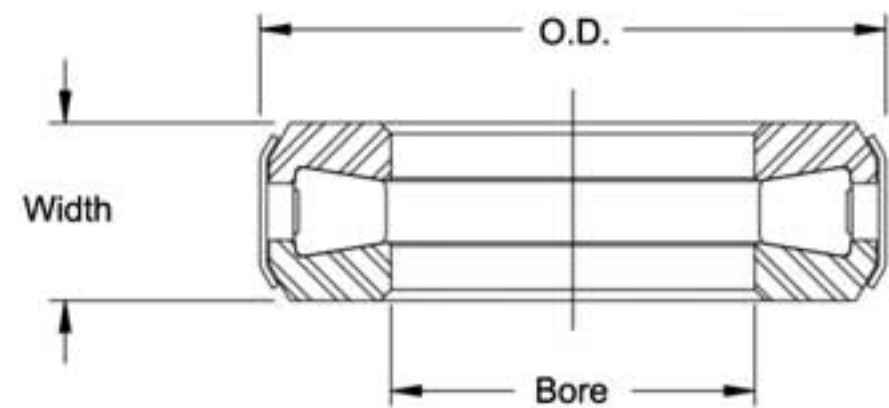
Style 3



Style 4



Style 5



Style 6

Tyson Tapered Thrust Bearings



Part Number	Bore (inch)	O.D. (inch)	Width (inch)	Shaft Fillet Radius	Weight (lb)	Style	Dynamic Load (lb)	Static Load (lb)	Pivot Load (lb)
T88	0.8850	1.8906	0.5940	0.03	0.24	1	7500	13700	3890
T110	1.1350	2.0940	0.6250	0.03	0.31	1	8700	17300	4500
T126	1.2600	2.1875	0.6250	0.03	0.31	2	12000	34100	6200
T127	1.2600	2.6250	0.7658	0.03	0.68	2	18300	55500	9450
T139S	1.3850	2.3980	0.6560	0.03	0.35	4	14500	42000	7500
T149	1.5080	2.5938	0.7650	0.03	0.53	2	20300	58000	10500
T151	1.5100	2.8590	0.8438	0.03	0.82	2	20500	62500	10600
T163	1.6350	2.8590	0.8438	0.03	0.77	2	20500	62500	10600
T163S	1.6350	2.9800	0.8438	0.03	0.80	4	20500	62500	10600
T182	1.8220	3.2660	0.9375	0.03	1.15	2	28400	91400	14700
T182S	1.8220	3.4550	0.9900	0.03	1.20	4	28400	91400	14700
T1822S	1.8220	3.3000	0.6840	0.03	0.76	5	24500	89500	12700
T18294S	1.8220	3.4550	0.9375	0.03	1.15	2	28400	91400	14700
T1885	1.8850	3.4550	0.9375	0.03	1.20	4	28400	91400	14700
T1895	1.8850	3.4550	0.9063	0.03	1.15	4	28400	91400	14700
T1910	1.6350	3.3650	0.6450	0.03	0.69	3	24500	89500	12700
T1920	1.8220	3.3650	0.6450	0.03	0.67	4	24500	89500	12700
T1921	1.8220	3.1500	0.6290	0.03	0.75	2	24500	89500	12700
T193	1.9470	3.6720	1.0310	0.03	1.88	6	37500	115000	19400
T194	1.9470	3.6720	1.0620	0.03	1.88	2	37500	115000	19400
T194S	1.9470	3.8230	1.1210	0.03	1.95	2	37500	115000	19400
T195S	1.8850	3.8230	1.1210	0.03	2.01	4	37500	115000	19400
T201	2.0100	3.6720	1.0310	0.13	1.70	6	37500	115000	19400
T202	2.0100	3.6720	1.0620	0.13	1.76	2	37500	115000	19400
T208	2.0720	3.6720	1.0620	0.03	1.74	2	37500	115000	19400
T208S	2.0720	3.8230	1.1210	0.03	1.80	4	37500	115000	19400



Innovation. Commitment. Quality.

RBC has been producing bearings in the USA since 1919. In addition to unique custom bearings, RBC offers a full line of standard industrial and aerospace bearings, including:



Spherical Plain Bearings

Radial, angular contact, extended inner ring, high misalignment. **QuadLube**[®], **ImpactTuff**[®], **SpreadLock**[®] Seal, **CrossLube**[®] bearings, and self-lubricating bearings. Available in inch and metric sizes.



Rod Ends

Commercial and industrial, precision, Mil-Spec series, self-lubricating, and aircraft. Available in inch and metric sizes.



Thin Section Ball Bearings

Standard cross sections to one inch. Sizes to 40 inches. Stainless steel and other materials are available. Seals are available on all sizes and standard cross sections.



Ball Bearings

Precision ground, semiground, unground. High loads, long life, smooth operation. Offered in caged and full complement configurations.



Self-Lubricating Bearings

Radial, thrust, rod ends, spherical bearings, high temperature, high loads. Available in inch and metric sizes.



Cam Followers

Standard stud, heavy stud, yoke type, caged roller followers. Patented **RBC Roller**[®] cylindrical roller cam followers, **HexLube**[®] universal cam followers, airframe track rollers.



Airframe Control Bearings

Ball bearing types, self-lubricating types, needle roller track rollers.



Needle Roller Bearings

Pitchlign[®] caged heavy duty needle roller bearings, inner rings, **TJ TandemRoller**[®] bearings for long life.



Pins and Shafts

RBC manufactures all types of pins, needle rollers, shafts, and rollers.



Tapered Roller Bearings

Case-hardened in a variety of sizes. Used in Class 8 heavy truck and trailer wheel bearings, gearboxes, and final drive transmissions.



Ball Screws

Precision ground, rolled, ball splines. Long life, low wear, high accuracy. **QuickTurn**[™] **Ball Screw Repair Service**.



Specials

RBC manufactures many specialty bearings for the aerospace, oil and energy, semiconductor equipment, packaging, heavy truck, and other industries.



RBC Division
400 Sullivan Way
West Trenton, NJ 08628
609.882.5050 (phone)
609.882.5533 (fax)
800.390.3300 (customer service)
www.rbcbearings.com

Your Authorized RBC Distributor